

SINCE 1974 TAIWAN

**LD-879FS**

**Expansion Coupling**

**STANDARD:**

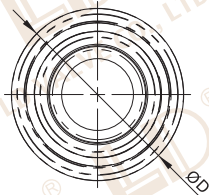
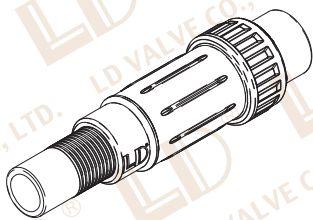
- Female socket X Spigot
- Female socket X Male thread
- Female socket X Female socket
- Female socket X Female thread

**FEATURES:**

- Fast, easy, leak proof way to repair broken pipe. Makes restoring a broken pipe simple.
- Double O-ring seal for added protection against leakage.
- Can be used as a union for piping installations.

\*Pipe damage repair or use as expansion joint

**LD-879FS Female socket X Spigot**



**Conexión en Expansión**

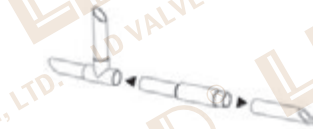
**ESTÁNDAR:**

- Encolar hembra X Espita
- Encolar hembra X Rosca macho
- Encolar hembra X Encolar hembra
- Encolar hembra X Rosca hembra

**CARACTERÍSTICAS:**

- Fácil, rápida manera de prueba de fuga para reparar tubería rota. Facilitando la restauración de una tubería rota.
- Doble junta torica para una mayor protección contra la fuga.
- Puede ser utilizado como unión al instalar tuberías.

\*Lateral add-on fitting replacement



**Manchon à Compression Rollangé**

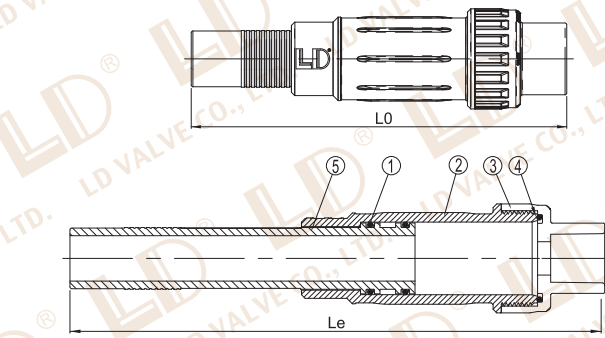
**GAMMES:**

- Femelle à Coller X Connexion Cannelé
- Femelle à Coller X Mâle à Visser
- Femelle à Coller X Femelle à Coller
- Femelle à Coller X Femelle à Visser

**CARACTÉRISTIQUES:**

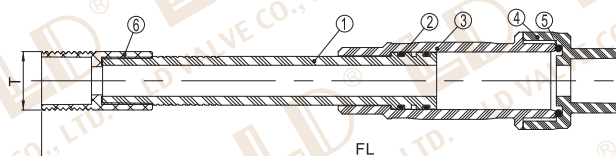
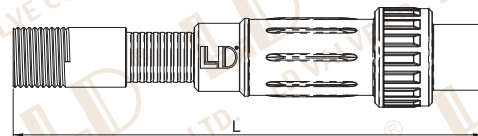
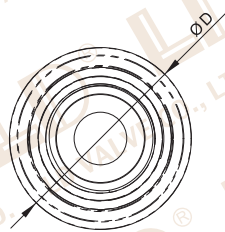
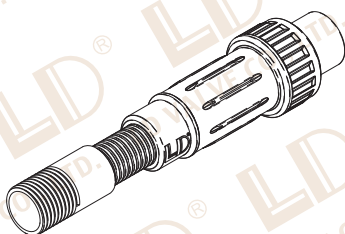
- Un moyen rapide et facile de preuve de fuite à réparer des tuyaux cassés. Réparer facilement pour d'un bris de tuyau.
- Double joints toriques pour une protection supplémentaire de la fuite.
- Peut être utilisé comme une union pour l'installation de tuyauterie.

\*Valve retrofit installation



NO	PARTS NAME	MATERIALS	PCS
1	O-RING	EPDM/VITON	2
2	BODY	PVC/CPVC/PP	1
3	NUT	PVC/CPVC/PP	1
4	O-RING	EPDM/VITON/NBR	1
5	SLIDE PIPE	PVC/CPVC/PP	1

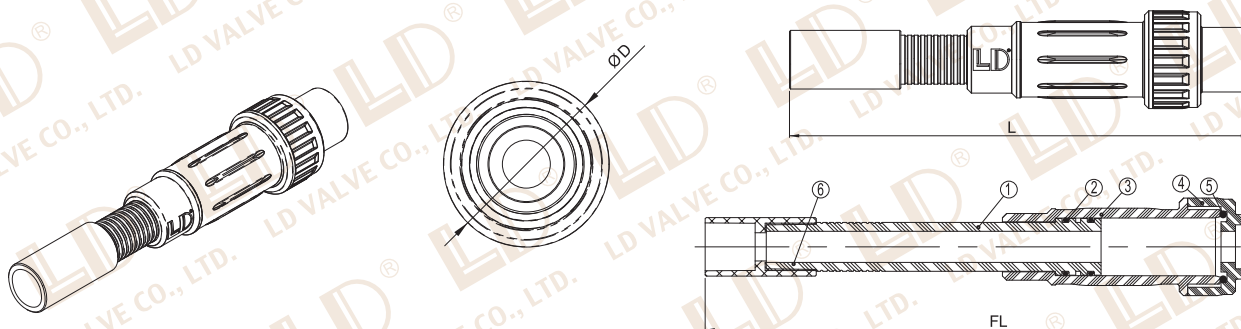
**LD-879FS Female socket X Male thread**



NO	PARTS NAME	MATERIALS	PCS
1	SLIDE PIPE	PVC/CPVC/PP	1
2	O-RING	EPDM/VITON	2
3	BODY	PVC/CPVC/PP	1
4	NUT	PVC/CPVC/PP	1
5	O-RING	EPDM/VITON/NBR	1
6	COUPLING	PVC/CPVC/PP	1

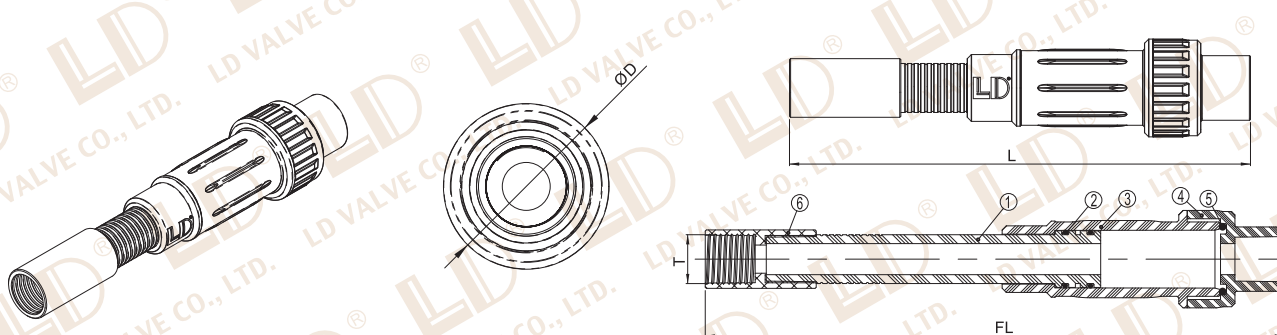


### LD-879FS Female socket X Female socket



NO	PARTS NAME	MATERIALS	PCS
1	SLIDE PIPE	PVC/CPVC/PP	1
2	O-RING	EPDM/VITON	2
3	BODY	PVC/CPVC/PP	1
4	NUT	PVC/CPVC/PP	1
5	O-RING	EPDM/VITON/NBR	1
6	COUPLING	PVC/CPVC/PP	1

### LD-879FS Female socket X Female thread



NO	PARTS NAME	MATERIALS	PCS
1	SLIDE PIPE	PVC/CPVC/PP	1
2	O-RING	EPDM/VITON	2
3	BODY	PVC/CPVC/PP	1
4	NUT	PVC/CPVC/PP	1
5	O-RING	EPDM/VITON/NBR	1
6	COUPLING	PVC/CPVC/PP	1

DN	SIZE	Female Socket				SPIGOT	WORKING PRESSURE	MASTER CARTON Q'TY	REMARK
		ANSI (mm)	BS (mm)	DIN (mm)	JIS (mm)				
10	3/8"	17.15	17.2	16	18	3/8"	235PSI@73°F/ PN16bar@22°C	176	Under Development
15	1/2"	21.34	21.31	20	22	1/2"			
20	3/4"	26.67	26.9	25	26	3/4"			
25	1"	33.4	33.71	32	32	1"			
32	1-1/4"	42.16	42.39	40	38	1-1/4"			
40	1-1/2"	48.26	48.31	50	48	1-1/2"	150PSI@73°F/ PN10bar@22°C	36	
50	2"	60.33	60.3	63	60	2"			
65	2-1/2"	73.03	76.1	75	76	2-1/2"	100PSI@73°F/ PN6bar@22°C	9	
80	3"	88.9	88.9	90	89	3"			
100	4"	114.3	114.3	110	114	4"			
150	6"	168.28	168.28	160	165	6"	Under Development		
200	8"	219.08	219.08	225	216	8"			

DN	SIZE	FL (mm)	L (mm)	L0 (mm)	Le (mm)	ØD (mm)	Female Thread				WORKING PRESSURE	MASTER CARTON Q'TY	REMARK
							BSPT thd/in	BSP thd/in	NPT thd/in	NPS thd/in			
10	3/8"						19	19	18	18	235PSI@73°F/ PN16bar@22°C	176	Under Development
15	1/2"	250	196	180	234	43	14	14	14	14			
20	3/4"	278	218	202.5	263	52	14	14	14	14			
25	1"	312	244	225	292.5	60	11	11	11.5	11.5			
32	1-1/4"	342	268	247.5	321.7	71	11	11	11.5	11.5			
40	1-1/2"	386	305	270	351	77	11	11	11.5	11.5	150PSI@73°F/ PN10bar@22°C	36	
50	2"	447	352	315	409.5	97	11	11	11.5	11.5			
65	2-1/2"	513	405	360	468	113	11	11	8	8	100PSI@73°F/ PN6bar@22°C	12	
80	3"	573	451	405	526.5	135	11	11	8	8			
100	4"	694	545	495	613.5	164	11	11	8	8			
150	6"						11	11	8	8	Under Development		
200	8"						11	11	8	8			